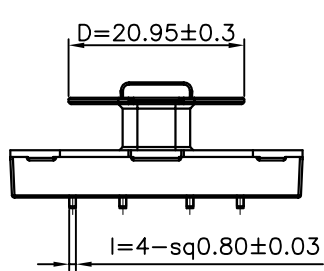
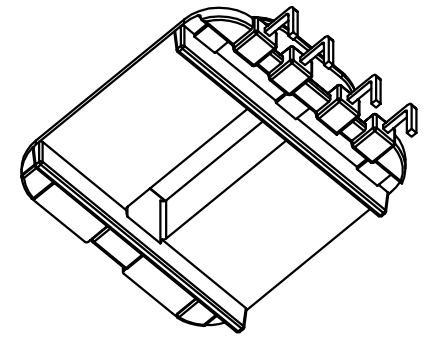
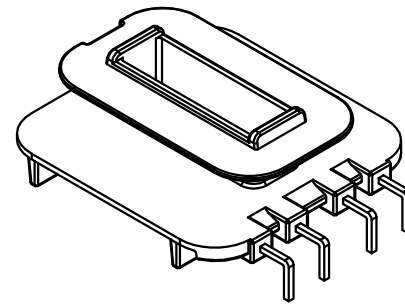
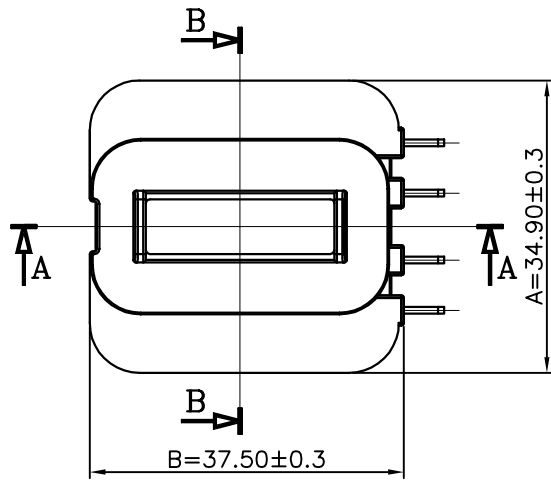
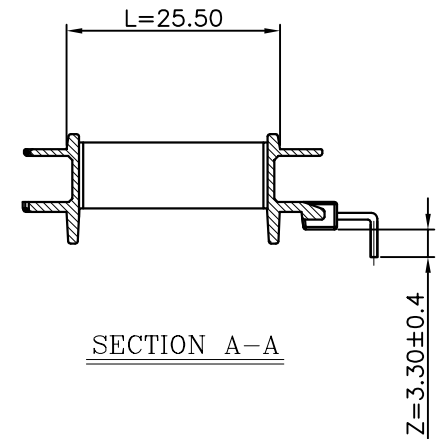
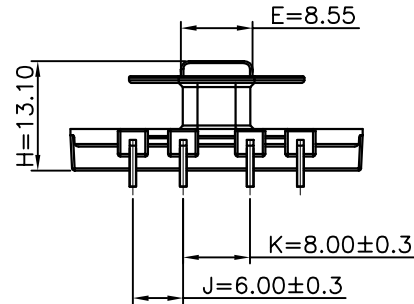
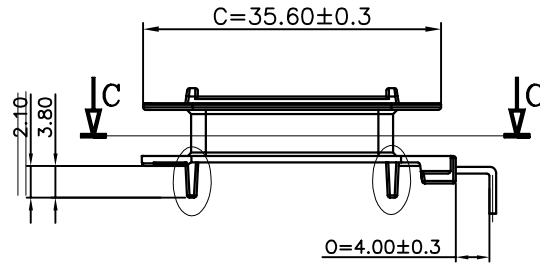


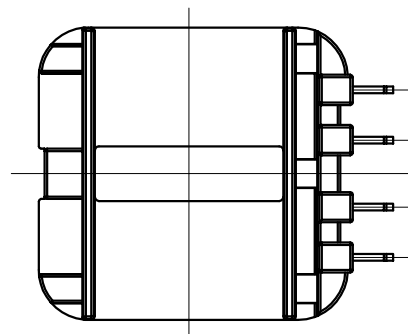
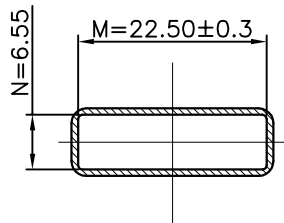
SECTION B-B



SECTION C-C



SECTION A-A



* 표시부위 1.7mm 연장
141125

MARK	REVISION NOTE			DATE	DRAWN	CHECKED	APPROVED
DRAWN	CHECKED	APPROVED	MATERIAL : PHENOL	UL REC. : UL94V-0	THIRD ANGLE PROJ.	SCALE : 1/1	
HK, Yang	S H, Kim	C, Park	Z : PIN LENGTH (According to customer's request)	DATE : 2014.11.26	TOLERANCE : ±0.2 (Unless otherwise specified)	UNIT : m/m	
주식회사 대흥보빈 DAE HEUNG BOBBIN CO., LTD			TITLE EE 42*13 "V" (4P) (B)		DWG NO DH-131219-3077-13		